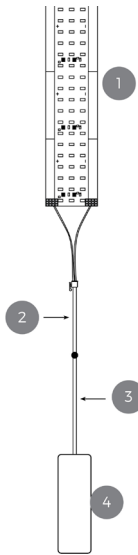


COOLEEDGE LINE - SPECIFICATIONS

PROJECT		REFERENCE TYPE	
SPECIFIED BY		QUANTITY	
DATE		NOTE	For Luminous Surfaces

SYSTEM OVERVIEW



Create low profile linear accents with Cooleedge LINE products.

1	LINE
2	LINE Starter Cable
3	LINE Extension Cable (<i>optional</i>)
4	LED Driver

GENERAL

Location	Indoor, dry location only
Available Widths	56mm (175 & 450 lm), 96mm (850 lm)
Operating Temp.	0-40°C
Storage Temp.	-40-85°C
Relative Humidity	90% max (non-condensing)
Operating Voltage	58 VDC
Electrical Connections	Tool-less mating plug connectors
Base Material	Flexible PET

SPECIFICATION

CE compliant lighting system inclusive of flexible light emitting sheets, connectors, low voltage cables, and LED drivers. Light output from the system must be +/- 10% of 575/1500/2800 lm/m. Color Rendering index (CRI) must be >90 and color consistency between light sheets must be typical 2 SDCM. Light emitting sheets must be easily cut at increments along the length not exceeding 72mm. Electrical connections between cables and light emitting sheets must be tool-less. System warranty must be a minimum of 5 years.

FEATURES

- Available in two widths with three light output options that are dimmable to 1% light output
- The close spacing of LEDs allows for small setback distances (to < 25mm) when used with diffusers delivering high quality illumination where light levels are an important design consideration
- Delivered in standard lengths that can be adapted to field conditions and still meet all of the required performance specifications and reliability needs of each application
- Flexible to conform to curved surfaces and unique geometries
- Suitable for mounting directly to common mill-work, cove, and slot materials

Cooleedge Lighting reserves the right to change materials or modify the design of its product without notification as part of the company's continuing product improvement program.

PHOTOMETRICS¹

Light Output (lm/300mm)	850, 450, 175
Light Output (lm/m)	2800, 1500, 575
Correlated Color Temperature (CCT)	2700K, 3000K, 3500K, 4000K, 5700K
Color Rendering Index (CRI)	≥ 90
Color Uniformity	2 SDCM (typical)
Lumen Maintenance ²	L80 = 75,000hr

Each Cooledge LINE light emitting sheet is scanned using a proprietary process that measures the flux, color uniformity, and Color Rendering index (CRI) to ensure that it meets stringent specifications for optical performance.

¹ Photometric files available from cooledgelighting.com

² Based on LM80 data & TM-21 calculations

IESNA TM-30-15 DATA

CCT	Rf	Rg
2700K	88	97
3000K	88	97
3500K	87	96
4000K	87	96
5700K	90	100

CERTIFICATIONS



EN 60598 Compliant (as a system)

RoHS

POWER

Light Output (lm/m)	Width (mm)	Power (W/m)
2800	96	22.6
1500	56	14.1
575	56	5.2

WARRANTY



5 Year Limited Warranty:
Parts and workmanship when used with a Cooledge approved power supply.

1 LINE

LINE-850

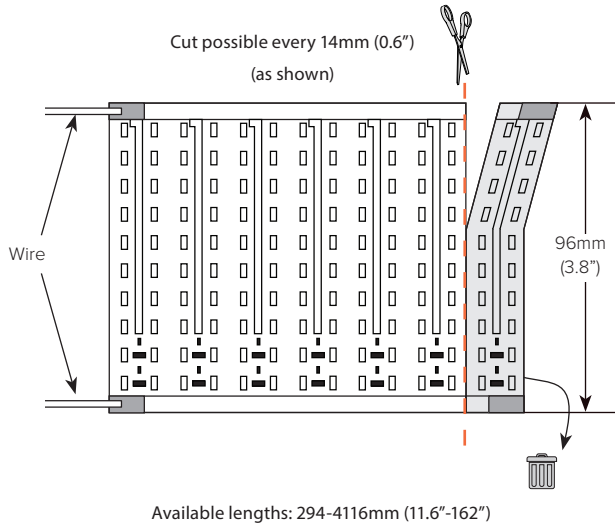


Table 1: LINE-850 Lengths

Length	xxxx
294mm (1.0ft)	294
588mm (1.9ft)	588
882mm (2.9ft)	882
1176mm (3.9ft)	1176
1470mm (4.8ft)	1470
1764mm (5.8ft)	1764
2058mm (6.8ft)	2058
2352mm (7.7ft)	2352
2646mm (8.7ft)	2646
2940mm (9.6ft)	2940
3234mm (10.6ft) midfeed	3234
3528mm (11.6ft) midfeed	3528
3822mm (12.5ft) midfeed	3822
4116mm (13.5ft) midfeed	4116

LINE-175 & LINE-450

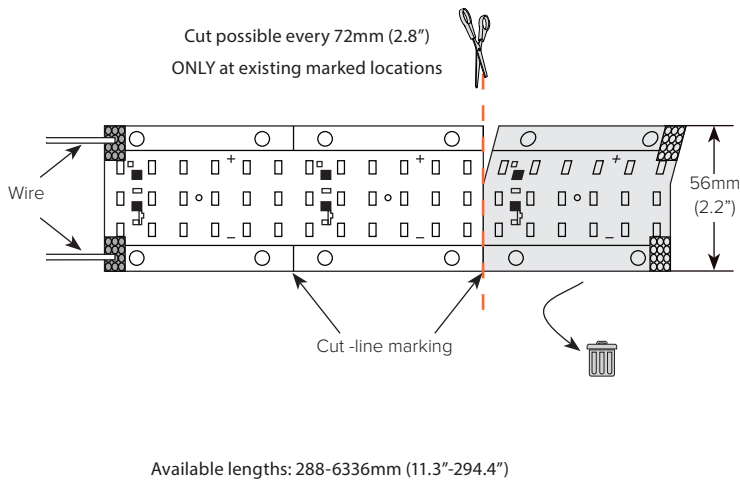


Table 2: LINE-450 & LINE-175 Lengths

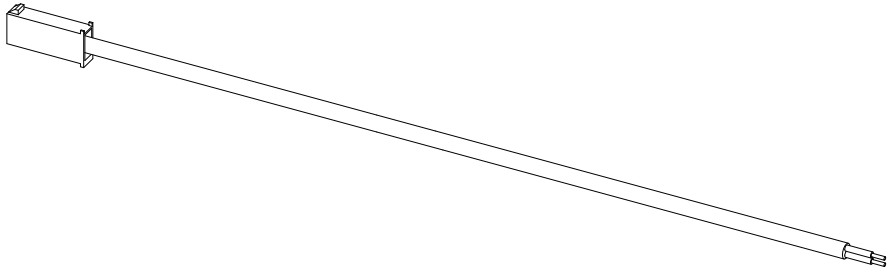
Length	xxxx
288mm (0.9ft)	288
576mm (1.9ft)	576
864mm (2.8ft)	864
1440mm (4.7ft)	1440
1728mm (5.7ft)	1728
2016mm (6.6ft)	2016
2304mm (7.6ft)	2304
2592mm (8.5ft)	2592
2880mm (9.4ft)	2880
3168mm (10.4ft)	3168
3456mm (11.3ft) midfeed	3456
3744mm (12.3ft) midfeed	3744
4032mm (13.2ft) midfeed	4032
4320mm (14.2ft) midfeed	4320
4608mm (15.1ft) midfeed	4608
4896mm (16.1ft) midfeed	4896
5184mm (17.0ft) midfeed	5184
5472mm (18.0ft) midfeed	5472
5760mm (18.9ft) midfeed	5760
6048mm (19.8ft) midfeed	6048
6336mm (20.8ft) midfeed	6336

HOW TO ORDER

LINE	-	-	-
PRODUCT LINE	FLUX 850 = 850 lm/ft 450 = 450 lm/ft 175 = 175 lm/ft	CCT 27 = 2700K 30 = 3000K 35 = 3500K 40 = 4000K 57 = 5700K	LENGTH xxxx = length in mm (see Tables 1 & 2 above)

Example: LINE-450-35-1152

2 LINE STARTER CABLE



Purpose: 2-conductor cable that makes the electrical connection between the LED driver and the LINE sheets with a mating plug connector (required).

Length = 2.4m

HOW TO ORDER

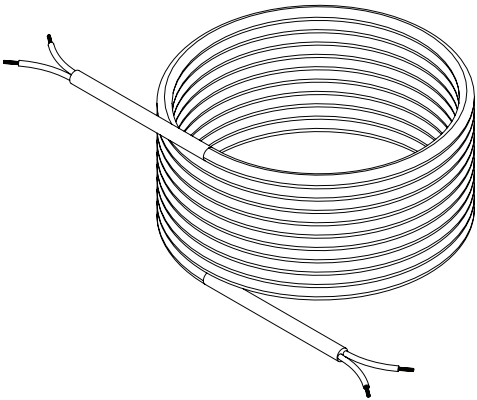
LCBL	-	STR
<u>PRODUCT</u> LCBL = LINE Cable		<u>TYPE</u> STR = Starter Cable

Example: LCBL-STR

3 LINE EXTENSION CABLE (OPTIONAL)

Purpose: 2-conductor 1.3mm² non-plenum rated cable between LINE Starter Cable and LED Driver that extends the distance the driver may be remotely located away from the LINES or allows multiple LINE sheets to be connected to a single driver connection.

Please consult Cooledge for additional information including requirements for plenum rated cables



HOW TO ORDER

LCBL	-	LNG	-	
<u>PRODUCT</u> LCBL = LINE Cable		<u>TYPE</u> LNG = Extension Length		<u>LENGTH</u> 10 = 10ft (3m) 20 = 20ft (6m)

Example: LCBL-LNG-20

4 LED DRIVERS

Purpose: Convert AC mains (line) power to safe, low voltage DC power. Cooledge LED drivers are offered with a range of dimming options (required).

CE COMPLIANT DRIVERS - INTERIOR

MODEL	TYPE	OUTPUT POWER (W)	INPUT VOLTAGE (VAC)	OUTPUT VOLTAGE (VDC)	DIMMING
PSS	Constant Voltage	90	NOM. 120-277	58	No
PSD	Constant Voltage	90	NOM. 120-277	58	1-10V

Detailed specifications for Cooledge LED drivers with ordering codes and dimming options are available in the following documents:

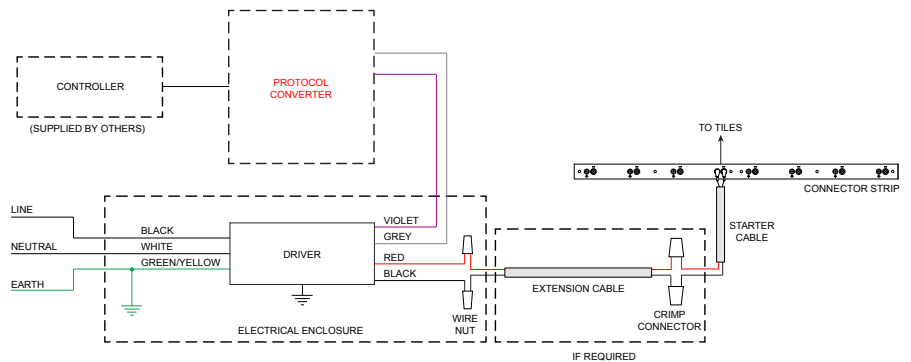
- Cooledge CE Compliant LED Drivers - Specifications

ADDITIONAL ACCESSORIES

PROTOCOL CONVERTERS

- DALI — 0/1-10V
- DMX— 0/1-10V

Purpose: A device that converts control signals from a DALI or DMX controller to 0/1-10V signals to operate Cooledge LED drivers. One converter may be used to control many LED drivers. Please consult Cooledge for the best option for your project.



Example only: wiring details may vary by region